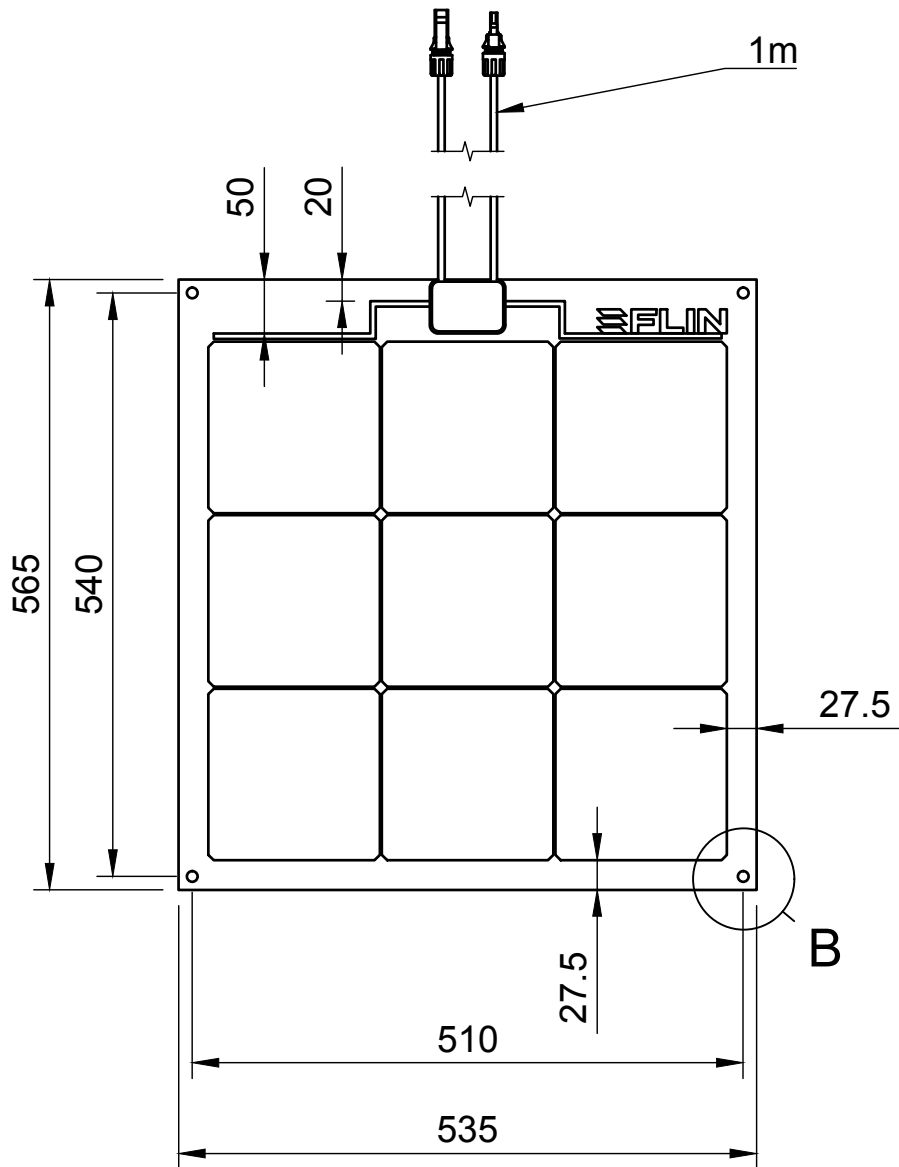
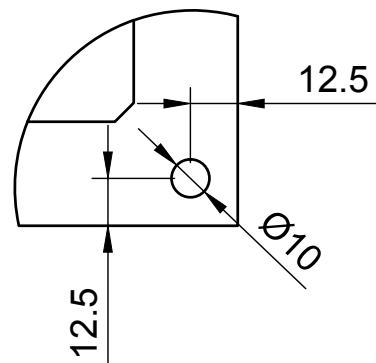


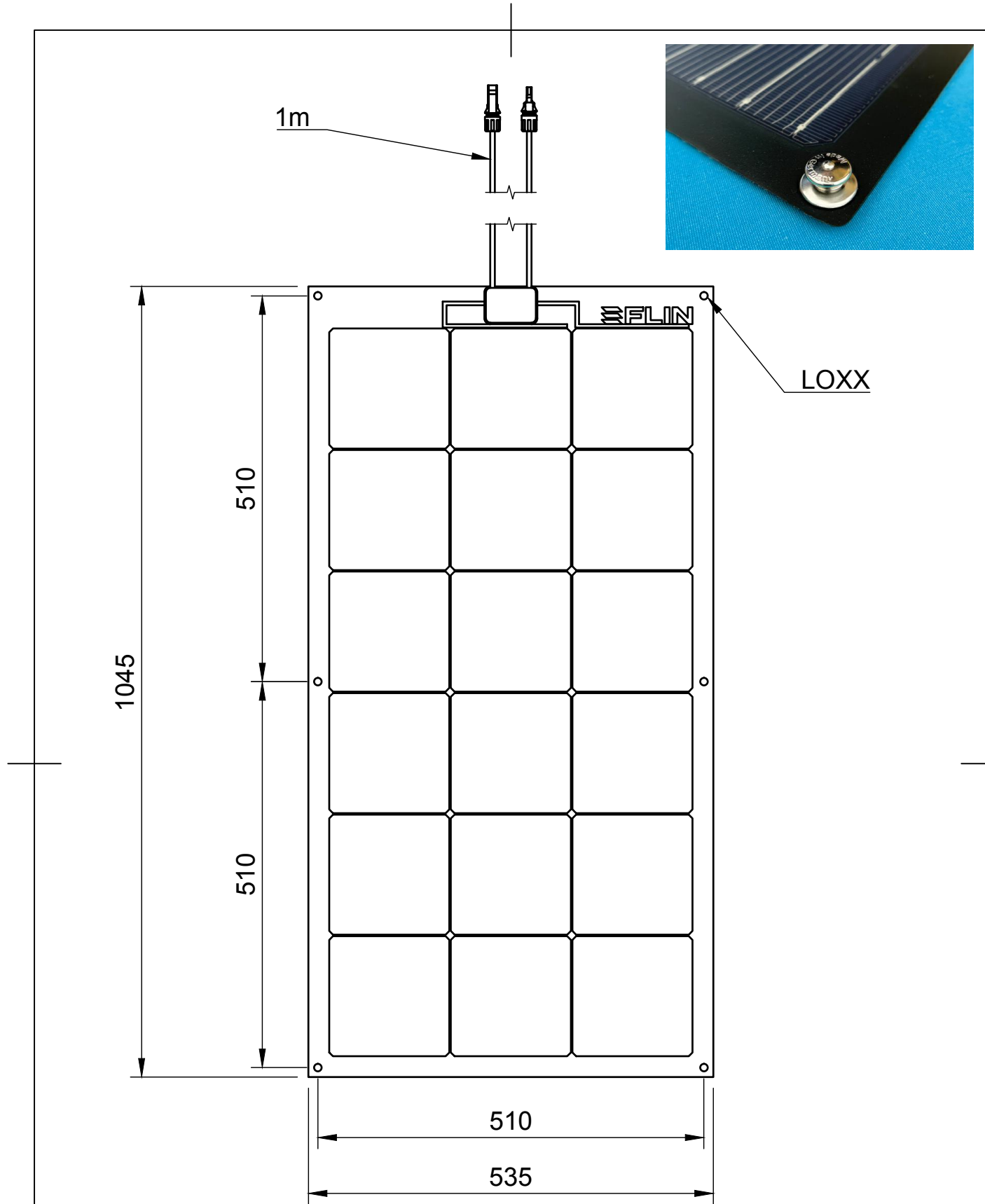
Dept.	Technical reference mm	Created by Lasse Hochfeldt 19.09.22	Approved by	
		Document type	Document status	
		Title FLINflex snap 100W	DWG No.	
		Rev.	Date of issue	Sheet 1/3



B (1:2)



Dept.	Technical reference mm	Created by Lasse Hochfeldt 19.09.22	Approved by	
		Document type	Document status	
		Title FLINflex snap 50W	DWG No.	
		Rev.	Date of issue	Sheet 2/3



Dept.	Technical reference mm	Created by Lasse Hochfeldt 19.09.22	Approved by		
		Document type	Document status		
		Title FLINflex snap 100W Segelmacher	DWG No.		
		Rev.	Date of issue	Sheet 3/3	